

Service Manual



for the

E Ride 30

For Models upto serial
EERIDE30000423

Training
Trouble Shooting
Adjustments



Contents



1. Remarks	4
2. General	5
2.1 Settings	6
2.2 Brief description	7
2.2.1 Vacuuming OFF/soiled water tank full	8
2.2.2 Initial position of machine	
3. Check and set machine type, LDS and options, view and delete last error	11
3.1 Check and set machine type	15
3.2 Check and set options	16
3.3 Check and set LSD	18
3.4 View and delete last error in display	20
4. Program variuous cleaning cycles as a function of drive potentiometer setting (check and set)	21
5. Program functions	23



Contents



6.	Particular settings according to customer's requirements (last error display and water stage selection)	33
6.1	Display of last error	36
6.2	Water stage when start scrubbing	37
6.3	Water stage when start cleaning with green H Minuteman key	38
6.4	Water stage when start cleaning with green bordered key (increased brush pressure)	39
7.	Settings on power electronic (A2)	40
8.	Water pump	41
8.1	Water pump standstill recognition	43
9.	Diagnosis LED for drive module	44
9.1	Signal measuring at the drive control unit	50
9.2	Settings at the accelerator pedal	57
9.2	A4:X51 plug assignment	62
10.	Error reference chart with information on service display	65
11.	Adjustment of disk brake	76
12.	Wiring Diagrams	77
13.	Notes	81

1. Remarks

- **Caution:**
- Before working at the machine make sure that the batteries are disconnected (disconnect battery plug); except for cases of current and voltage measurements.
- When replacing the stripe fuses only loosen the screws. Do not remove them completely to avoid short-circuit hazard.
Place the new stripe fuses completely i.e. evenly under the screws.
- Measure starting and operating voltage after any repair action to detect any eventual defect.
- The applicable safety and accident prevention guide lines should be followed when servicing the machine.

2. General

- The Minuteman E Ride 30 uses a service display integrated in the hour meter display. When turning the key switch ON, a 4-digit display will appear for about 3 seconds, describing the software version (e.g. 3.017), then another 4-digit display may appear which repeats the last error, followed by the hour meter display.
- In case of malfunction during operation, a red error LED alights and a buzzer sounds. The actual error code (4-digit number in the service display) with flashing dots between the numbers will appear in the service display. Only if these criteria are fulfilled the error is actual.

2.1 Settings

The following settings on the control unit (A1)/control panel of each machine must be defined and checked:

1. Machine type
2. LDS (low discharge signal sender)
3. Options
4. Delete last error display after elimination
5. Program variants with a given drive potentiometer position
6. Settings via control panel which may be defined by the customer:
 - a. Display of the last (eliminated) error when turning the machine ON.
 - b. Water stage selection when start cleaning
7. Settings on power electronic module
8. DIP-switch for electronic circuit breakers

2.2 Brief Description

The following electronic modules control the machine:

- Control Unit (A1)
 - Power Electronic (A2), referred to as "module 1" in the diagrams
 - Drive Control Unit (A4)
 - Control Panel (A3)
- The control unit (A1) ensures all control and monitoring functions in the machine except for the drive control unit.
- There isn't any error code is displayed on the dash board display, when an error occurs at the drive control unit since it is equipped with it's own diagnosis display (flashing LED at the drive control unit) (see chapter 9).
- The keys for scrubbing, vacuuming and the green Minuteman key for combined cleaning can be used autonomously, only the selected function being active.

2.2.1 Vacuuming OFF/ Soiled Water Tank Full



- The vacuuming function is turned OFF either by operator's key action or automatically when the signal "Dirty (Recovery) water tank is full" applies.
- Operator turns vacuuming OFF:
 - the squeegee is lifted
 - the vacuum motor turned OFF with a delay of 15 seconds
- Turned OFF when tank full:
 - the "soiled water tank full" switch opens as soon as the tank is filled
 - If the switch opens 3 seconds or longer (spill protection) the squeegee is lifted and the suction motor turned off with a delay of 15 seconds.

2.2.2 Initial Position of Machine

- After turning ON the machine, all components are set to “initial position” after the seat contact switch has closed.
- The lifting elements will lift if they have not been turned OFF in top final position by the micro switch integrated in the lifting element.
- The motors are turned OFF and the LEDs on the control panel for cleaning elements extinguish.
- The seat contact switch is connected to the control unit A1 at A1:X7:11+12.
- The A1 control unit’s reaction to activation (opening) of the seat contact switch is delayed by 2 seconds i.e. if, during operation, the contact is opened for more than 2 seconds, the motors stop and brush head and the squeegee is lifted.
- If the switch is closed again within this delay, operation is not interrupted.
- When the machine is switched ON without the seat switch being closed or when the switch is opened for more than 2 seconds all functions (driving and cleaning) are now inhibited.

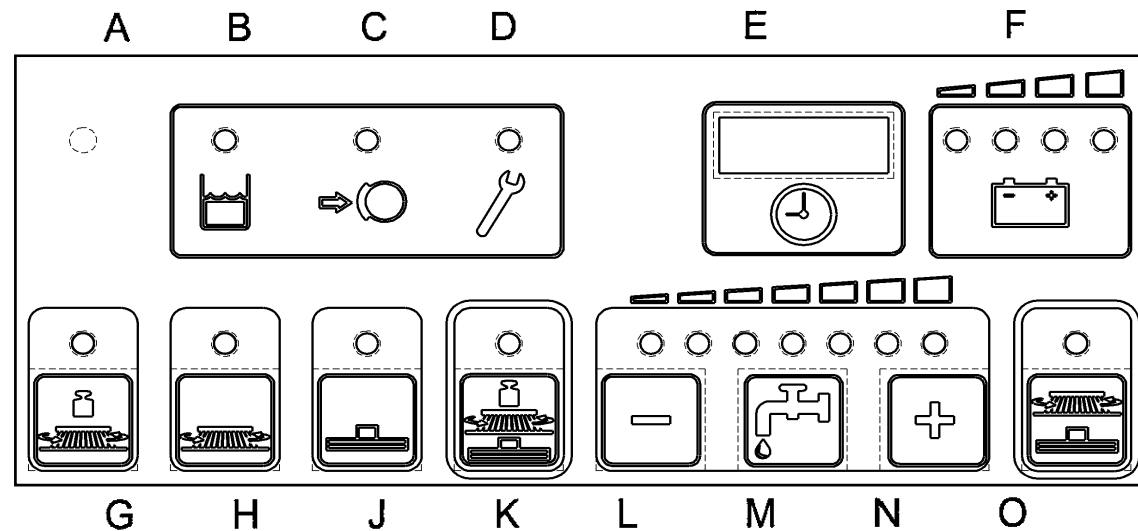
2.2.2 Initial Position of Machine



- Test the seat contact switch, its wiring and the module's input by means of the diagnosis device: Under code no. 3151 the switch status is displayed (open or closed) as detected by the module.
- The drive control unit is equipped with an individual diagnosis and self test function.
- Operation of this unit is thus inhibited if the machine is switched ON but the potentiometer is not in NEUTRAL position or its NEUTRAL position is not detected.
- The same applies after the seat contact switch has opened and closed again. The neutral position of the potentiometer is required as well when actuating the seat contact switch i.e. the drive control unit has to detect a neutral position of the potentiometer.
- If the potentiometer position detected by the drive control unit is not neutral, the LED at the drive control unit flashes. Refer to the chapter on drive control unit test.

3. Checking and Setting the Machine Type

- Check and set machine type, LDS and options, view and delete last error
- The settings described in this paragraph must by all means be checked and modified if required and in particular after replacing the electronic module.
- Figure 1 shows the control panel for Minuteman E Ride with the disk brush.



3. Check and the Set Machine Type

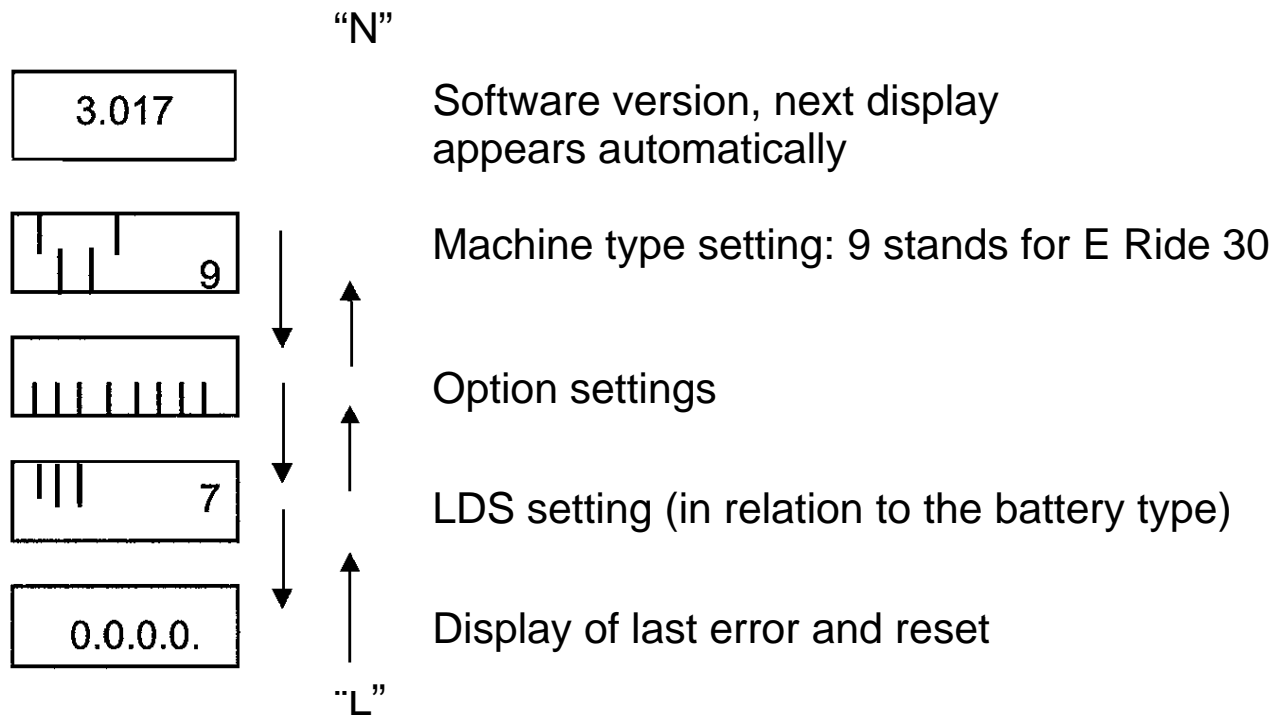
- **Entering the Program Viewing Mode** This will display the dip switch settings and can be used to clear the last recorded error.
 - The dip switches must manually changed, if a change is required.
1. Turn OFF machine with the key switch.
 2. Depress "G" and "H" keys the same time and hold, turn ON with the key switch.
 3. Hold both keys until a number (software version) appears in the display, then release both keys.



G H J K L

- The set machine type is displayed automatically. Use the "N" key to scroll the display of option and LDS settings or thereafter for display of the last (eliminated) error. Use the "L" key to step back for display of previous codes.
- Quit the session by turning key switch OFF.

3. Check and Set the Machine Type

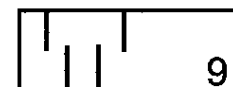


3.1 Check and Set the Machine Type

Changing the settings: This will require changing the dip switch positions.

1. Setting the correct machine type with the Dip switches is absolutely necessary. To change, use the DIP-switch A on the control unit (A1).
2. For the Minuteman E Ride 30, the first and the last bar have to be positioned in the top line and the second and third bar in the bottom line. This setting results in the displayed in chapter 9 on the display menu. See below.
3. If the display does not correspond with these parameters, correct the DIP-switch settings.

E Ride 30	1: ON	(= bars in top line)
	2: OFF	(= bars in bottom line)
	3: OFF	(= bars in bottom line)
	4: ON	(= bars in top line)

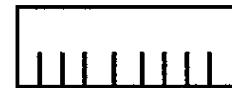


Chapter 9

3.2 Check and Set the Options

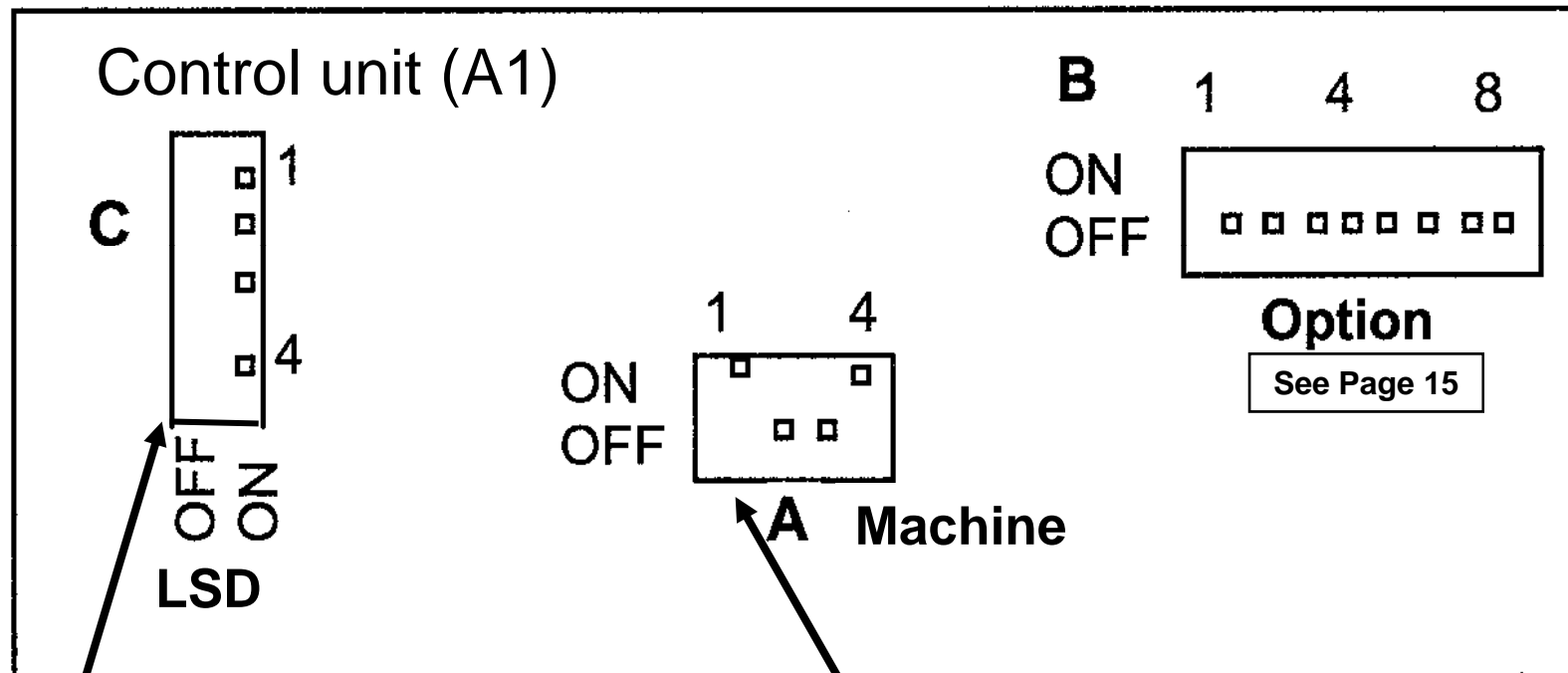
1. The setting of all options on the DIP-Switch B of the control unit (A1) is absolutely necessary.
2. The DIP-switches are assigned as follows:

- 1 - 3: unassigned, i.e. "OFF"
- 4: OFF
- 5: OFF
- 6: OFF
- 7 - 8: unassigned, i.e. "OFF"



Option Settings
Dip Switch B

3.2 Check and Set the Options



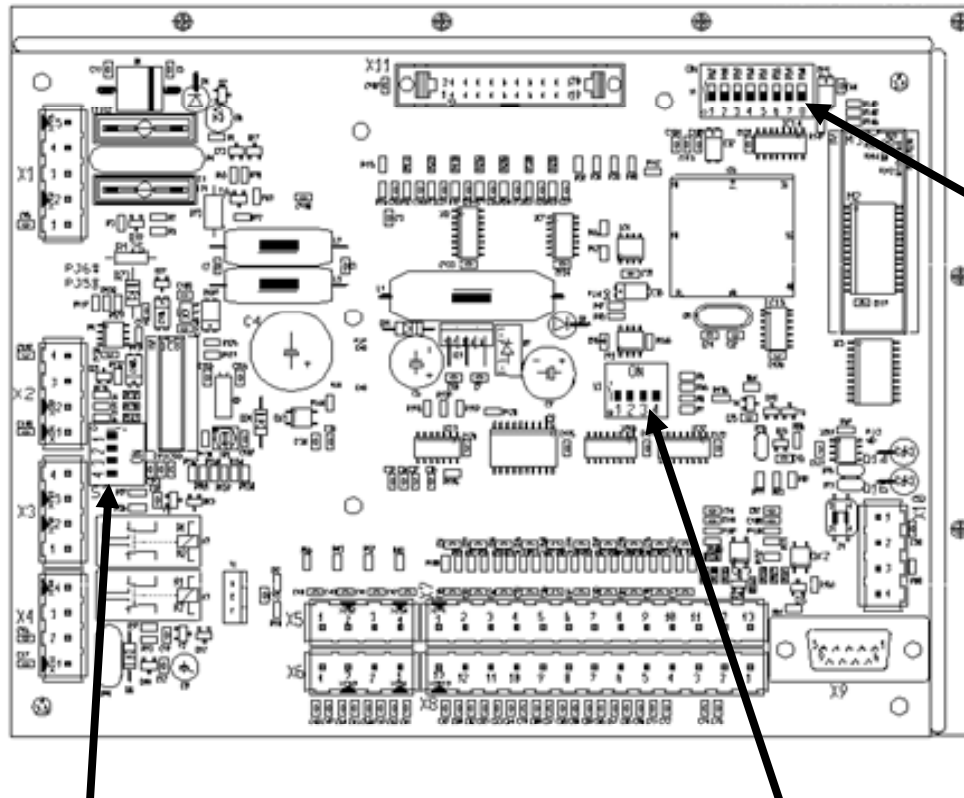
(C) Adjustment of battery type, LSD
DIP-switches S3:

Switch No.: 1	See chapter 3.3
Switch No.: 2	See chapter 3.3
Switch No.: 3	See chapter 3.3
Switch No.: 4	on = 24 volt off = 36 volt

(A) Adjustment of machine type,
DIP-switches S2:

Switch No.: 1	on
Switch No.: 2	off
Switch No.: 3	off
Switch No.: 4	on

3.2 A1 Dip Switch Locations



(B) Adjustment of options,
DIP-switches S1:
without options

Switch no.: 1 off
Switch no.: 2 off
Switch no.: 3 off
Switch no.: 4 off
Switch no.: 5 off
Switch no.: 6 off
Switch no.: 7 off
Switch no.: 8 off

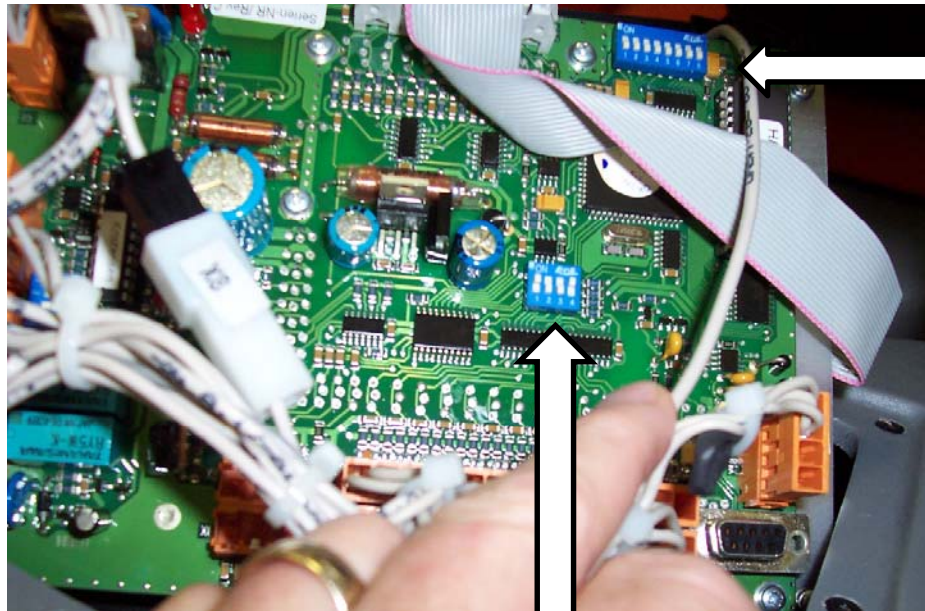
(C) Adjustment of battery type, LSD
DIP-switches S3:

Switch No.: 1 See chapter 3.3
Switch No.: 2 See chapter 3.3
Switch No.: 3 See chapter 3.3
Switch No.: 4 on = 24 volt off = 36 volt

(A) Adjustment of machine type,

DIP-switches S2:
Switch No.: 1 on
Switch No.: 2 off
Switch No.: 3 off
Switch No.: 4 on

3.2 Options and Machine Type



Adjustment of options, DIP-switches S1:

(B) Adjustment of options, DIP-switches S1: without options
Switch no.: 1 off
Switch no.: 2 off
Switch no.: 3 off
Switch no.: 4 off
Switch no.: 5 off
Switch no.: 6 off
Switch no.: 7 off
Switch no.: 8 off

Adjustment of machine type, DIP-switches S2:

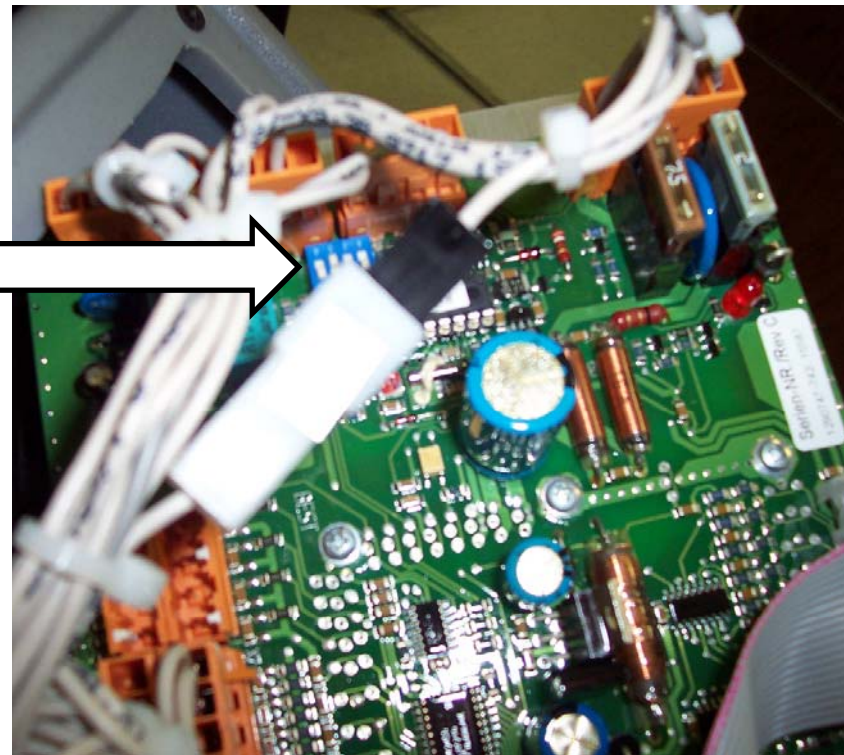
(A) Adjustment of machine type, DIP-switches S2:
Switch No.: 1 on
Switch No.: 2 off
Switch No.: 3 off
Switch No.: 4 on

On
Off

3.2 Dip Switches Battery Type

**Adjustment of battery type
and voltage
DIP-switches S3:

See pages 20-21**



3.3 Check and Set LDS

1. The LDS must be set to the correct battery type.
2. If different batteries are installed, modify the LDS setting as described below. Use the DIP-switch C on the control unit (A1).
3. The LDS is set by following this chart. (0= off, 1= on) See next the page for definitions.

Displayed code →	2 Flooded wet with grid plates	3 Flooded wet with grid plates	4 Wet tubular plate battery	5 Wet tubular plate battery	6 Grid Plate Gel	7 Grid Plate Gel
Dip-switch	GIS foreign U.S. Made	GIS European made	PzS foreign U.S. made	PzS European made	Gel (GIV) (Sonnen-schein)	Gel (Deta) (PZV)
1	0 (off)	1 (on)	0 (off)	1 (on)	0 (off)	1(on)
2	1 (on)	1 (on)	0 (off)	0 (off)	1 (on)	1(on)
3	0 (off)	0 (off)	1 (on)	1 (on)	1(on)	1(on)
4	(1) ON = 24 V					

3.3 Check and Set the LDS

- “1” means ON; “0” means OFF
- “Foreign” means all after market batteries.
- Reset voltage: approx. 25.5V.

- Caution: The maintenance-free Gel batteries are no longer differentiated by the manufacturer (Sonnenschein or Deta). The setting is related to the type of battery used e.g. setting 6 for GIV batteries and setting 7 for PzV batteries, irrespective of the manufacturer. (For historic reasons, the denominations Sonnenschein and Deta are not eliminated in the documents.

- Battery Definitions
 - GiS Battery - Is a flooded wet acid battery with grid plates
 - PzS Battery - Is a tubular plate wet battery
 - GiV Battery - Is a grid plate Gel battery
 - PzV Battery - Is tubular plate Gel battery

3.4 View and Delete Last Error in Display



Viewing

1. Enter into the Program Viewing mode (See Section 3: Entering Program Viewing Mode)
2. Depress “N” key three times, the 4-digit error code with flashing dots will appear (last and eliminated error).
3. Quit the session by turning the key switch OFF (must not be executed when passing to “deleting”).

Deleting the Last Error

1. Depress “O” key and hold until 0.0.0.0. is displayed
2. Release key, turn key switch OFF and ON.
3. 0.0.0.0. will appear (after display of software version) for approx. 3 seconds followed by the hour meter display.
4. You may view the last error in the menu as described under “View”, since such data cannot be deleted in the menu.
5. Quit the session by turning the key switch OFF

4. Program Variations



•Program Variations

The scrubbing and vacuuming features may be adjusted on the E Ride 30 scrubber when in the programming mode. See the following for details:

•Checking the Programming Settings

1. Turn machine OFF with key switch.
2. Depress "N" and "O" key the same time and hold, turn key switch ON
3. Hold both keys until a number (software version) appears in the display, thereafter release both keys.
4. The programs may also be viewed by depressing the "L" key (down) or the "N" key (up).
5. The active program is marked by a dash and the number.

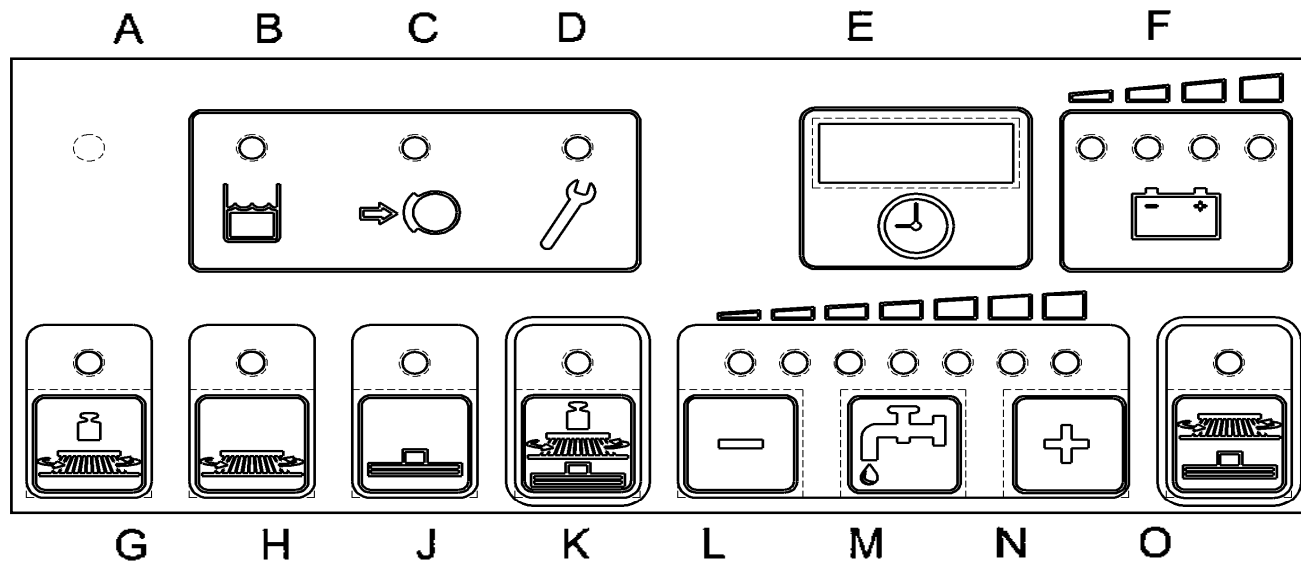
4. Program Variations



•Changing the Settings

1. Select the required program with the “L” or “N” key (when in the programming mode)
2. Depress “O” key and hold until the dash appears with the number.
The program is now saved and active.

•**Note:** To quit the session, turn the key switch OFF.



5. Program Functions



Use for all software versions up to 3.017

The description of program functions requires the “brush motor” and/or “vacuuming” function being turned ON. All programs allow normal cleaning or vacuuming in the ‘forward’ drive potentiometer position. The following chart shows the differences for ‘neutral’ and ‘reverse’ drive potentiometer position (up to software version 3.017).

Program code	Drive potentiometer setting	Function is activated by driving or stopping	
		Brush head	Squeegee
1	Neutral	Brushes and water ON	Vacuuming remains ON
	Reverse	Brushes and water ON	Squeegee OFF + lifted

5. Program Functions



Use for all software versions up to 3.017

Program codes	Drive Potentiometer setting	Function activated by driving or stopping	
		Brush head	Squeegee
2	Neutral	Brushes and water ON	Squeegee OFF + lifted
	Reverse	Brushes and water ON	Squeegee OFF + lifted
3	Neutral	Brushes and water OFF	Vacuuming remains ON
	Reverse	Brushes and water ON	Squeegee OFF + lifted

5. Program Functions



Use for all software versions up to 3.017

Program codes	Drive potentiometer setting	Function is activated by driving or stopping	
		Brush head	Squeegee
4	Neutral	Brushes and water OFF brush head lifted (3 seconds delay for brushes to prevent brushes from being turned OFF when switching from forward to reverse mode)	Squeegee OFF + lifted
	Reverse	Brushes and water ON	Squeegee OFF + lifted

5. Program Functions



Use for all software versions up to 3.017

Program codes	Drive potentiometer setting	Function is activated by driving or stopping	
		Brush head	Squeegee
5	Neutral	Brushes and water OFF (3 Sec. delay)	Squeegee OFF + lifted
	Reverse	Brushes and water ON and lowered	Squeegee OFF + lifted
6	Neutral	Brushes and water OFF, brush head remains lowered	Vacuuming remains ON
	Reverse	Brushes and water remain OFF	Squeegee OFF + lifted

5. Program Functions



Use for software version 3.018 and Higher

On from software version 3.018 additional program functions are implemented to the machine control. This allows to work on sensitive floor without leaving marks on the floor. Remark: as a result of this short switch off times, the life time of brush motor and lifting element will decrease.

Program code	Drive potentiometer setting	Function is activated by driving or stopping	
		Brush head	Squeegee
1	Neutral	Brushes and water ON	Vacuuming remains ON
	Reverse	Brushes and water ON	Squeegee OFF + lifted

5. Program Functions



Use for software version 3.018 and Higher

Program codes	Drive potentiometer setting	Function is activated by driving or stopping	
		Brush head	Squeegee
2	Neutral	Brushes ON, water OFF	Vacuuming remains ON
	Reverse	Brushes and water ON	Squeegee OFF + lifted
3	Neutral	Brushes and water OFF	Vacuuming remains ON
	Reverse	Brushes and water ON	Squeegee OFF + lifted

5. Program Functions



Use for software version 3.018 and Higher

Program codes	Drive potentiometer setting	Function is activated by driving or stopping	
		Brush head	Squeegee
4 (long switch Off time)	Neutral	Brushes and water OFF brush head lifted (3 seconds delay for brushes to prevent brushes from being turned OFF when switching from forward to reverse mode)	Squeegee OFF + lifted
	Reverse	Brushes and water ON	Squeegee OFF + lifted

5. Program Functions



Use for software version 3.018 and Higher

Program codes	Drive potentiometer setting	Function activated by driving or stopping	
		Brush head	Squeegee
5 (long switch OFF time)	Neutral	Brushes and water OFF (3 Sec. delay) brush head lifted	Vacuuming remains ON
	Reverse	Brushes and water ON and lowered	Squeegee OFF + lifted
6 (medium switch OFF time)	Neutral	Brushes and water OFF, brush head remains lowered	Vacuuming remains ON
	Reverse	Brushes and water remain OFF	Squeegee OFF + lifted

5. Program Functions



Use for software version 3.018 and Higher

Program codes	Drive Potentiometer setting	Function is activated by driving or stopping	
		Brush head	Squeegee
7 (short switch OFF time)	Neutral	Brushes and water OFF (less than 1 sec)	Vacuuming remains ON
	Reverse	Brushes ON water OFF	Squeegee OFF + lifted
8 (long switch OFF time)	Neutral	Brushes and water OFF,	Vacuuming remains ON
	Reverse	Brushes and water ON	Squeegee OFF + lifted

5. Program Functions



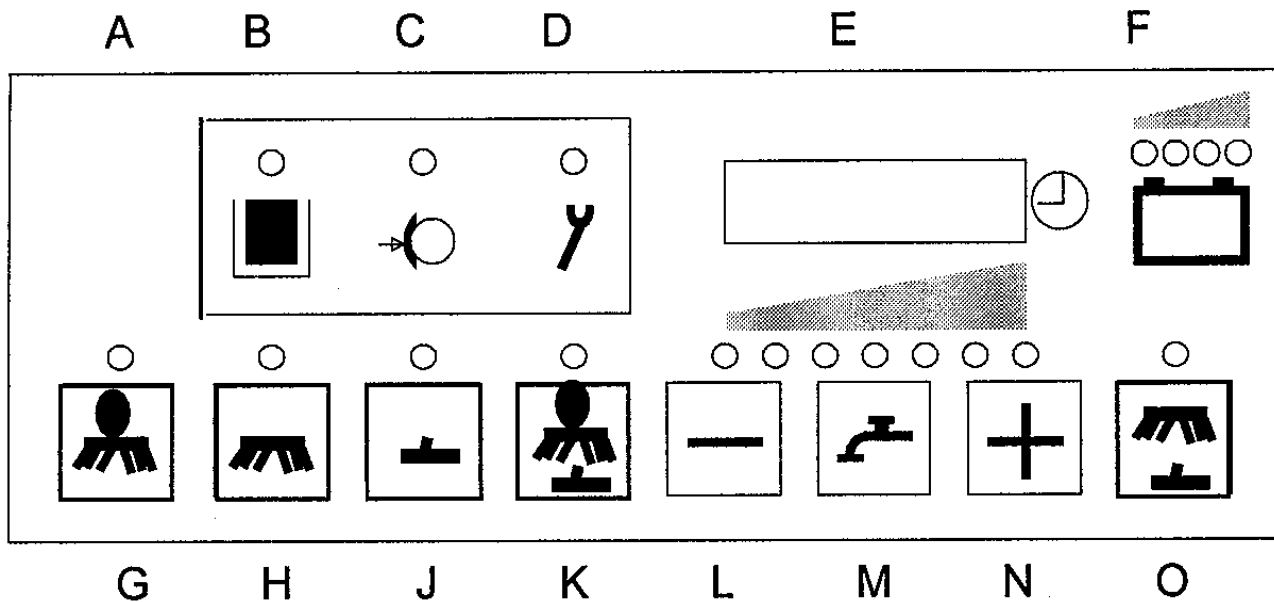
The water supply, brush or vacuuming function LED or the Minuteman E Ride key (green key) is flashing if the selected function is turned OFF due to the drive potentiometer setting.

*The brush motors switch off with a delay of 3 seconds. This delay precludes switching off in case of direction alteration but allows it in neutral drive potentiometer position.

6. Optional Settings

Optional settings can be set according to customer's requirements (last error display and water stage selection)

The settings described in this paragraph may be modified following the customer's requirements. The settings made in the factory may be altered.



6. Particular Settings



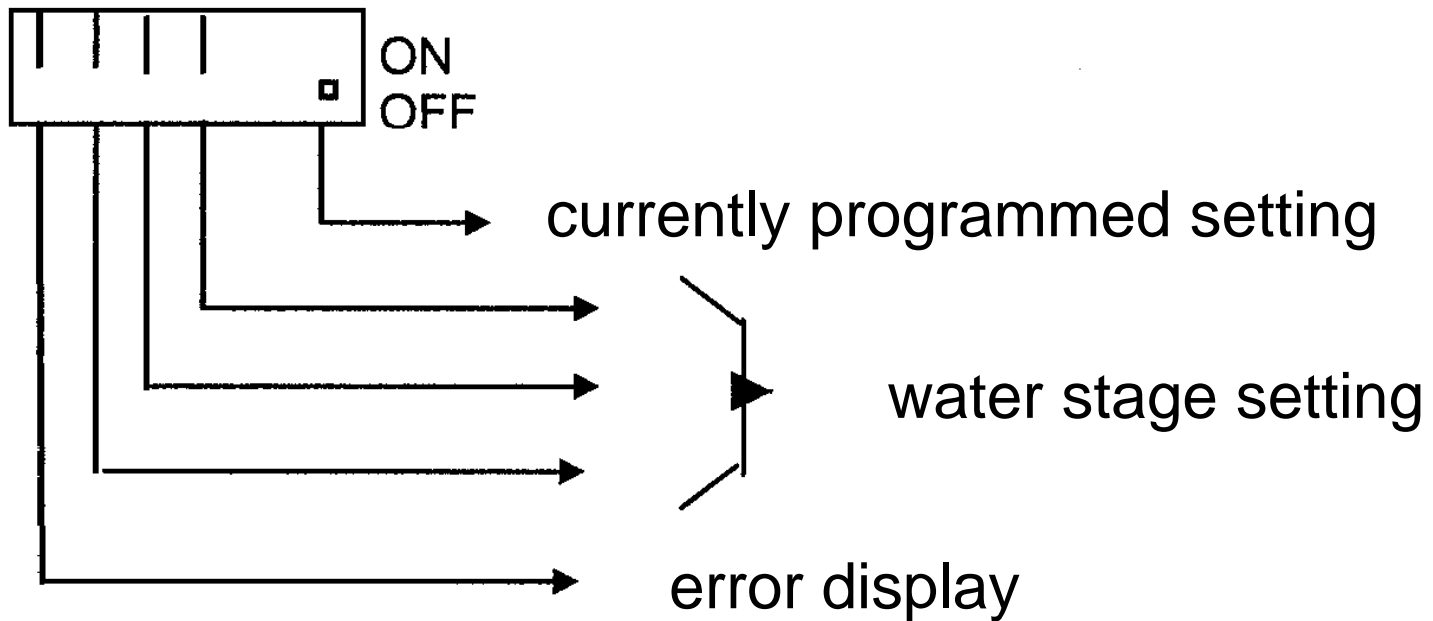
Entering the Programming Mode

1. Turn machine OFF with key switch.
2. Depress "G" and "O" key the same time and hold, turn key switch ON.
3. Hold both touch pads buttons until a number (software version) appears in the display, then release both keys.

The following programmed settings will appear automatically in the display:

- last (eliminated) error display when turning ON: yes/no
water stage when start cleaning (scrubbing only): last selected stage or middle stage
- water stage when start cleaning (with green Minuteman key): last selected stage or stage 2
- water stage when cleaning has started (with green bordered key for increased brush pressure): last selected stage or stage 6

6. Particular Settings



6.1 Display of Last Error



1. Select required setting with “L” and “N” keys.
2. The bar of the setting to be modified is flashing.
3. Move the bar up or down with “M” key.
 - Up = ON = error code (of eliminated error) will appear for approx. 3 seconds in the display after turning ON
 - Down = OFF = error code (of eliminated error) is not displayed (will not be displayed during start up).
4. The setting is saved by pressing the green key (“O” key) until the dot appears in the display at the right bottom.

6.2 Water Stage When Start Scrubbing

1. Select required setting with “L” and “N” keys.
2. The bar of settings to be modified is flashing.
3. Move the bar up or down with “M” key.
Up = ON = last selected stage is set
Down = OFF = middle stage is always set
4. The setting is saved by pressing the green key (“O” key) until the dot appears in the display at the right bottom.

6.3 Water Stage

Water stage when start cleaning with green Minuteman key

1. Select required setting with “L” and “N” keys.
2. The bar of settings to be modified is flashing.
3. Move the bar up or down with “M” key.
Up = ON = last selected stage is set
Down = OFF = 2nd stage is always set
4. The setting is saved by pressing the green key (“O” key) until the dot appears in the display at the right bottom.

6.4 Water Stage When Start Cleaning

Water stage when start cleaning with green bordered key
(increased brush pressure)

1. Select required setting with “L” and “N” keys.
2. The bar of settings to be modified is flashing.
3. Move the bar up or down with “M” key.
Up = ON = last selected stage is set
Down = OFF = 6th stage is always set
4. The setting is saved by pressing the green key (“O” key) until the dot appears in the display at the right bottom.

7. Settings on the Power Electronic Module (A2)

The correct DIP-switch settings on the power electronic module (A2) are necessary since they have an influence on the electronic circuit breaker values for the lifting elements (brush head and squeegee).

DIP-switch settings:

1: OFF

2: ON

Circuit breaker values:

Brush head: 5.7 A

Squeegee: 1.9 A

8. Water Pump



For check purpose of the water pump function, the voltage of the different stages can be measured on power electronic module (A2:X2:6+7). In case of measurement with measuring device Fluke 87, water in tank but suction turbine turned OFF, the result is:

Disk Brush

- stage 1: xxx V
(cannot be evaluated because of value variation caused by the pulses)
- stage 2: xxx V
(cannot be evaluated because of value variation caused by the pulses)
- stage 3: approx. 5.0 V
- stage 4: approx. 6.7 V
- stage 5: approx. 8.7 V
- stage 6: approx. 13.2 V
- stage 7: approx. 17.8 V

When not using the indicated measuring device the result may vary since the voltage is pulsed. The value depends on the battery voltage as well. In the present case measurement was executed with charged battery and three green LEDs alight.

8. Water Pump

A good basis is measuring the water quantities.

Let the pump run and measure the delivered quantity of water per minute.

The quantities are indicated in the operating instructions as follows:

Stage	1	2	3	4	5	6	7
Disk Brush	1,0	1,3	1,6	2,0	2,4	3,6	5,2

Water quantity l/min

If voltage supply of the pump is as required but the measured water quantity does not correspond with the indicated parameters, check the hoses for clogging or damage; check the solenoid valve for opening correctly, and the function of the diaphragms of the valve plate in the pump.

8.1 Water Pump Standstill Recognition



If the pump does not deliver water to the brushes due to clogging of the hoses. The Standstill Recognition is Activated.

Automatic standstill recognition for water pump:

- The electronic module allows for protection of the water pump, if the pump does not deliver correctly. This means if the pump takes in water from the tank and cannot deliver it to the brushes, because of possible kinked hose, faulty water solenoid or spray tubes. The pressure will build at the pump. Without being protected by the electronic module the pump would deliver against this pressure and could be damaged.
- A restricted water flow to the pump such as a clogged filter, empty tank or kinked hose, could also activate the protection.
- The electronic module detects the blocked delivery and automatically switches the pump off for 2 seconds. After this delay, the pump is briefly switched on again and it is simultaneously measured whether delivery of water to the brushes is free or blocked. If delivery is as required, the pump remains ON in the selected stage. If the pressure still exists, the pump is switched off again for 2 seconds. This procedure is repeated until the error is remedied.

9. Diagnosis LED for the Drive Module

The LED is located on the drive module

LED shows	Malfunction	Remarks
OFF	Drive module is inoperable	Voltage supply interrupted Check fuses and wiring; No release signal at A4:X51:2
ON	Drive module is serviceable	Drive module function OK
2 flashes	Wrong start sequence	Accelerator actuated and direction selected, then ON with key switch = no reaction; return to neutral position

9. Diagnosis LED for the Drive Module



LED shows	Malfunction	Remarks
3 flashes	"M" and "B-" short-circuited	Check cable to drive motor; check carbon brushes; Check chassis of the machine for potential, if OK but error code displayed, replace the drive module

9. Diagnosis LED for the Drive Module

LED shows	Malfunction	Remarks
4 flashes	Direction contactor stuck	<p>Do contactors switch and do the correct direction selection signals apply at the drive control unit?</p> <p>Check motor connections for short circuit or contact to chassis and remedy if required since chassis has to be free of potential; Check for leakage current between battery and chassis.</p> <p>Check cable to drive motor; check carbon brushes; if OK but error code displayed, replace the drive module</p>

9. Diagnosis LED for the Drive Module

LED shows	Malfunction	Remarks
5 flashes	Direction contactors do not close or no connection to drive motor	Do contactors switch and do the correct direction selection signals apply at the drive control unit? Check cable to drive motor; check carbon brushes; if OK but error code displayed, replace the drive module
6 flashes	Drive potentiometer or cable	Check drive the potentiometer and connection interrupted wiring, possible loose contact at the plug connectors Is drive potentiometer not in neutral position when machine is turned ON?

9. Diagnosis LED for the Drive Module

LED shows	Malfunction	Remarks
7 flashes	Battery low, less than 13 Volts	Measure battery voltage under load (measure at input of the drive control unit as well), Check connections and fuses

9. Diagnosis LED for the Drive Module

LED shows	Malfunction	Remarks
8 flashes	Excessive temperature of drive module (70 °C or more)	Is travel drive smooth? Correct position of parking brake? Excessive uphill riding? Measure operating voltage of the motor line "A2" at full throttle on level ground using a clip-on current transformer (approx. 26A max. at transport ride and 30A max. at cleaning ride) Check correct mounting of drive control unit in the machine

9.1 Signal Measuring at the Drive Control Unit

Check the following items when testing the drive control unit. If the respective signals do not apply, the drive control unit does not work sufficiently.

In the circuit diagram the drive control unit is designated with A4.

When testing the drive control unit, be supported by the circuit diagram and check the connections there since the complete procedure became more complex by releasing via A1, closing the drive rheostat switch, the direction switch and the K4 relay. There is function interaction and the switches and the relay are connected in series.

Note: The red drive control unit cable with integrated fuse is not connected and remains free even after replacement of the drive control unit.

9.1 Signal Measuring at the Drive Control Unit

1. Self-test

Before the drive control unit is operable, it executes a self-test. This self-test starts automatically after switching on the machine with key switch.

If, during this self-test, the drive control unit detects an error, the LED on the unit flashes to signal non-operability. The machine will then not start riding.

Key switch ON -> the battery + signal has to apply at A4:X51:2.

Then the self-test starts and the result is signalled by the LED of the drive control unit.

Only if the LED lights permanently, the drive control unit is operable. If the LED flashes, check for possible causes of error with the table below.

9.1 Signal Measuring at the Drive Control Unit

2. Drive direction

The drive direction is set via the direction selector switch S7 but closing of this switch alone is not sufficient for signalling the selection to the drive control unit.

Simultaneous releasing of A1, closing of the drive rheostat switch S8 and the K4 relay switching contact is required.

Release on A1

The control unit A1 monitors the seat contact switch and all other functions of the machine. The control unit releases driving only after all conditions (= seat contact switch closed) have been met. Releasing means that the contacts A1:X4:3 and A1:X3:1 are connected on the A1 module to initiate transfer of the battery minus signal from the A1:X4:3 contact to the A1:X3:1 contact. Only if the battery minus signal applies at A1:X3:1 release is given as first condition for the drive control unit to detect the drive direction.

9.1 Signal Measuring at the Drive Control Unit

Drive potentiometer switch S8:

This switch is located at the accelerator and is closed after pedal actuation. Then the battery plus signal is transferred to the coil of the K4 relay and the relay closes the switching contact.

Relay K4:

After the drive potentiometer switch S8 has closed, the battery plus signal applies at the K4 relay's coil and closes the switching contact. This contact is located in series with the direction switch S7 between the control unit A1:X3:1 and S7.

Now the battery minus signal can be transferred from A1:X3:1 via the switching contact of K4 and the direction selector switch S7 to the drive control unit.

Battery minus at A4:X51:4 -> forward

Battery minus at A4:X51:5 -> reverse

Now the direction contactors of the drive control unit close contact.

Result for drive direction:

If the drive control unit does not switch the direction contactors after drive direction has been selected and the accelerator actuated, check the above mentioned signals/voltages, connections, switches etc.

9.1 Signal Measuring at the Drive Control Unit

3. Speed

The speed attained directly depends on the drive potentiometer which is actuated via the accelerator pedal.

The max. speed with full throttle is:

Forward ride: **approx. 7.1 km/h**
Reverse ride: **approx. 3.8 km/h.**

With a free-wheeling drive wheel (jacked machine and cold drive motor), the parameters are as follows:

Forward ride: **$I \approx 12.5A$; drive wheel speed: $n \approx 230$ rpm**
Reverse ride: **$I \approx 11.5A$; drive wheel speed: $n \approx 130$ rpm**

To attain a higher final speed in forward ride than in reverse ride, a signal is transferred to the drive control unit.

9.1 Signal Measuring at the Drive Control Unit

Forward ride: attaining 100% of the final speed:

In order to attain 100% of the final speed in forward ride, the battery minus signal has to be transferred from the A1:X3:3 contact of the control unit to the drive control unit contact A4:X51:11.

Therefore, the contacts A1:X4:4 and A1:X3:3 on the A1 are connected. This link initiates transfer of the battery minus signal from A1:X4:4 contact to the A1:X3:3 contact. Before these transfers may happen, the battery plus signal has to be transferred via the direction switch S7 to the control unit A1.

Information about drive direction to A1:

The S7 drive direction switch is connected to the control unit at the A1:X8:9 and A1:X8:10 contacts. This link allows transfer of the information about the selected drive direction (forward or reverse) to the control unit. This transfer only works if the drive rheostat switch S8 has closed such that the battery plus signal can be transferred to the control unit.

Then **the A1:X4:4 and A1:X3:3 contacts on A1 are connected in forward ride (= 100% of the max. speed) and re-opened in reverse ride (= 50% of the max. speed).**

9.1 Signal Measuring at the Drive Control Unit

50% of the speed apply if:

Driving in reverse mode

The LDS displays low battery status (red LED of LDS lights)

The thermal switch of the drive motor has opened, i.e. the motor is overheated (error code 3.4.5.1. displayed)

Result for speed:

If the machine should only ride slowly at full speed in forward mode, check the signal transfer/voltages from the direction switch S7 to the control unit and from the control unit to the drive control unit.

9.2 Settings at the Accelerator Pedal



Setting the drive potentiometer switch S8 and the drive potentiometer 'R1' at the Accelerator pedal is required.

Caution:

Before proceeding to settings at the drive control unit make sure that the drive wheel rotates freely and has no contact with the ground. The setting work has to be executed with the greatest precaution possible to preclude injuries of persons or a movement of the machine, since otherwise the wheels may suddenly start rotating. Make sure that garments, hair, measuring cables or other are not caught in the rotating wheel (risk of injury!).

Before starting work, set the direction limit switch 'S7' to "0".

9.2 Settings at the Accelerator Pedal



The 'S8' drive potentiometer switch has to be set such that it is not activated in neutral pedal position, i.e. a small gap between the actuation roller of the switch and the eccentric disk of the accelerator is required.

If the accelerator pedal is pressed down, the switch should be actuated (clicking sound) but without bending the actuation lever.

After the switch has been actuated, the resistance between the connections 1 and 4 is approx. 0Ω .

(Caution: Disconnect battery plug before this measurement!).

9.2 Settings at the Accelerator Pedal

Before further setting of the drive potentiometer use a voltmeter to measure at the drive control unit between X51 Pin 3 and Pin 9.

When the accelerator pedal is not pressed down, the voltage has to amount to $U \approx 0 \text{ V}$ and increase continuously up to $U \approx 6.5 \text{ V}$ as the pedal is pressed down to stop. In order to guarantee a perfect operation, the minimum voltage attained when pressing down the pedal has to be $U = 4.5 \text{ V}$.

After the pedal has attained its limit position, the drive potentiometer must not be positioned at a stop. A clearance of 2mm is required between the final position of the Accelerator and the potentiometer stop (check at the adjusting lever of the 'R1' potentiometer if required).

If the stop position of the drive potentiometer has already been attained with the Accelerator pedal, the drive potentiometer may be turned in its oblong holes.

Irrespective of the pedal position, a voltage of approx. $U \approx 10,5 \text{ V}$ applies between X51 Pin 3 and Pin 8.

9.3 A4:X51 Plug Assignment



PIN	Plug assignment (measured to battery minus) (X51)
1	not connected
2	Drive control unit release; $U = 24V$ or battery voltage if key switch has closed
3	Drive potentiometer; $U = 0V$
4	Forward drive direction; $U = 0V$ after forward mode has been selected and 'S8' drive potentiometer switch and contact on control unit A1 have closed.
5	Reverse drive direction; $U = 0V$ after reverse mode has been selected and 'S8' drive potentiometer switch and contact on control unit A1 have closed.
6	not connected

9.3 A4:X51 Plug Assignment

PIN	Plug assignment (measured to battery minus) (X51)
7	not connected
8	Drive potentiometer PIN 8 ; approx. 10.7 V
9	Drive potentiometer, voltage modification of approx. $U = 0$ V to 6.7 V depending on the accelerator pedal position
10	not connected
11	Slowing down speed, $U = 0$ V, after contact on control unit A1 has closed (activated with reverse ride)
12	not connected

9.3 A4:X51 Plug Assignment



PIN	Plug assignment (measured to battery minus) (X51)
13	not connected
14	not connected
15	not connected

10. Error Reference Chart With Information on Service Display



Error code in display	Malfunction	Remarks
1.2.5.2.	Thermal protector of brush motor	Brush motor fan ok? Wire broken (break contact circuit)? Measure operating current (approx. 36.5A max; to preclude motor overload due to uneven ground conditions, 32A max. should not be exceeded during operation) Check carbon brushes
1.2.6.1	Block protection of brush motor	Measure operating current (36.5A max.; refer to code 1.2.5.2.)

10. Error Reference Chart With Information on Service Display



Error code in display	Malfunction	Remarks
1.2.6.3.	Block protection of brush head lifting element	Jammed? Measure operating current (5.0A max.) Correct Dip switch setting on power electronic module (A2)?
1.4.6.1	Block protection of squeegee lifting element	Jammed? Measure operating current (1.5A max.) Correct Dip switch setting on power electronic module (A2)?

10. Error Reference Chart With Information on Service Display



Error code in display	Malfunction	Remarks
3.1.6.1.	Fuse of power electronic module (A2)	Check all fuses, If the code for blocking protection of lifting element for brushes or squeegee appears, check these; Check water pump and water valve if 10A/80V fuse was defective
3.1.6.7.	Fuse of control unit (A1)	Check 7.5 A / 32 V fuse Check connection with control unit

10. Error Reference Chart With Information on Service Display



Error code in display	Malfunction	Remarks
3.2.1.1.	LDS defective	Measure approx. battery voltage on control unit A1.X2 PIN 1 and 4 , if voltage is not ok check plug contacts for corrosion etc. and cable connection up to battery plug; check Dip-switch setting for battery type if voltage and connection are ok replace control unit (A1)
3.4.1.1.	Error of drive potentiometer switch	Check drive potentiometer switch S7

10. Error Reference Chart With Information on Service Display



Error code in display	Malfunction	Remarks
3.4.5.1.	Thermal protector of drive motor	Is drive motor fan OK? Does travel drive respond smoothly? Parking brake setting ok? Did you perform an extended uphill ride? Wire broken (wiring to thermal switch or connectors badly plugged? Measure operating current in "A2" motor line using a clip-on current transformer at full throttle on level ground (approx. 26A max. at transport ride and 30A max. at cleaning ride)

10. Error Reference Chart With Information on Service Display



Error code in display	Malfunction	Remarks
4.1.2.1.	Power electronic module (A2) not recognised	Check connection between control unit (A1) and power electronic module (A2) control unit A1:X10:PIN 1 and PIN 2 and power electronic module (A2:X22:PIN 1 and 2); Check voltage supply of power electronic module (A2)

10. Error Reference Chart With Information on Service Display



Error code in display	Malfunction	Remarks
4.1.3.1.	Power electronic module (A2) no response (timeout)	Check connection between control unit (A1) and power electronic module (A2) control unit A1:X10:PIN 1 and PIN 2 and power electronic module (A2:X22:PIN 1 and 2); Check voltage supply of power electronic module (A2)
4.6.1.1.	Internal control unit error	Check contacts for corrosion and plugs, check voltage supply, if ok but still error code displayed replace control unit

10. Error Reference Chart with Information on Service Display



<i>Error code in display</i>	<i>Malfunction</i>	<i>Remarks</i>
4.6.2.1.	CAN bus error (no response - timeout)	Check 2 A / 32 V circuit breaker of control unit (A1), check wiring between A1:X10:PIN 1 and PIN 2 and power electronic module (A2:X22:PIN 1 and 2) as well as the contacts and plugs, check voltage supply of power electronic module (A2) and control unit (A1); check resistors (120 Ω) (60 Ω caused by parallel connection) If this error occurs in connection with code 4.1.2.1. or 4.1.3.1. first check as indicated there; if required, replace the power electronic module (A2)

10. Error Reference Chart with Information on Service Display



Error code in display	Malfunction	Remarks
4.6.3.1.	CAN bus error (bus error)	Check wiring between A1:X10:PIN 1 and PIN 2 and power electronic module (A2:X22:PIN 1 and 2) as well as the contacts and plugs, check voltage supply of power electronic module (A2) and control unit (A1); check resistors (120 Ω) (60 Ω caused by parallel connection)

10. Error Reference Chart With Information on Service Display



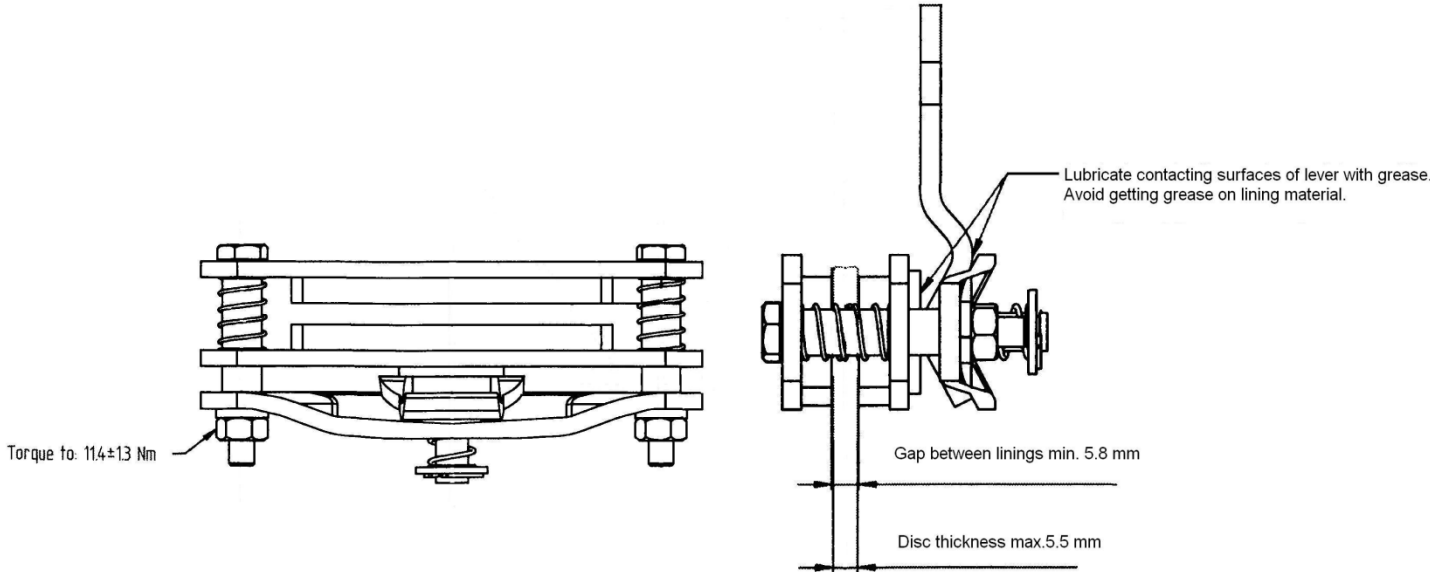
Error code in display	Malfunction	Remarks
4.6.3.2.	CAN bus error (overrun)	Check wiring between A1:X10:PIN 1 and PIN 2 and power electronic module (A2:X22:PIN 1 and 2) as well as the contacts and plugs, check voltage supply of power electronic module (A2) and control unit (A1); check resistors (120 Ω) (60 Ω caused by parallel connection)

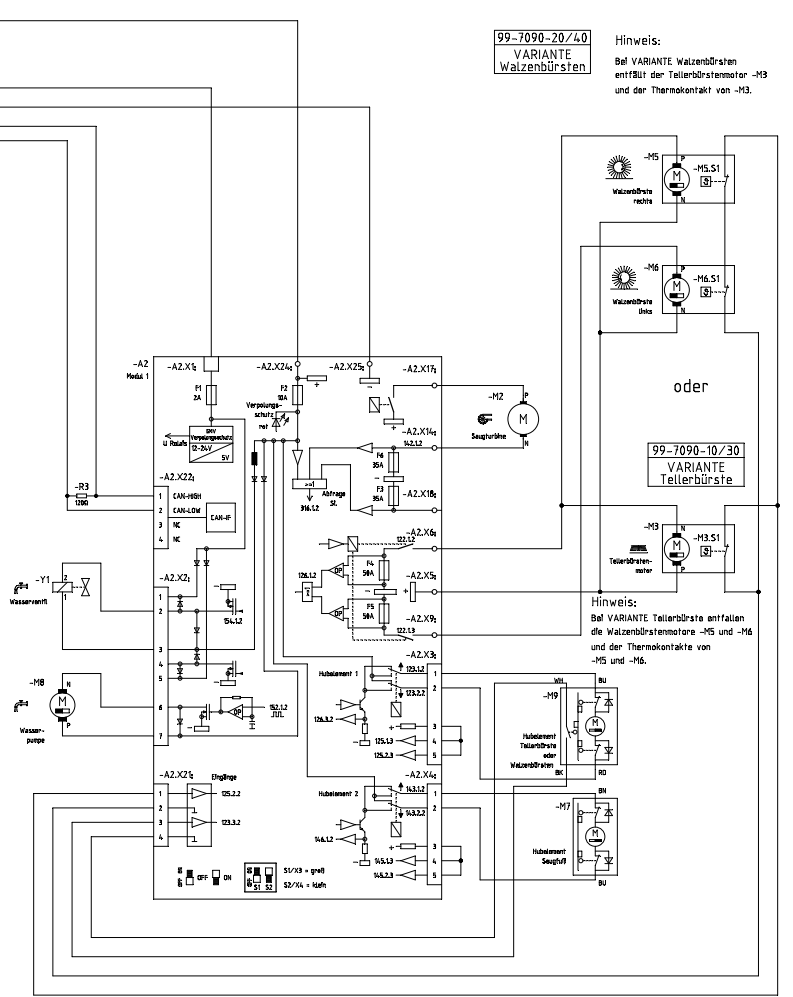
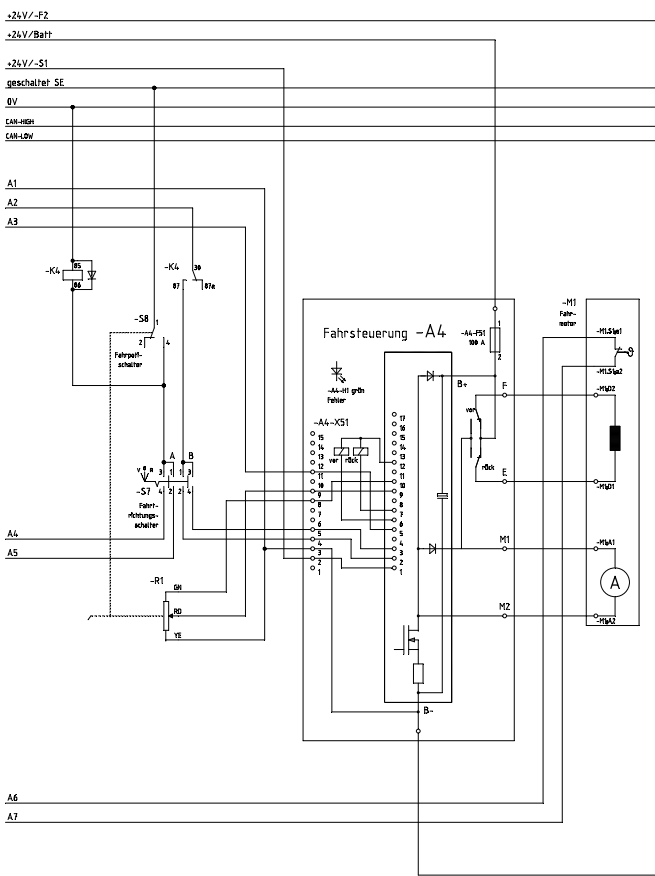
10. Error Reference Chart With Information on Service Display



Error code in display	Malfunction	Remarks
4.6.5.1.	Incorrect machine type setting	Check machine type setting of Dip switch A on control unit A1
4.6.5.2.	Set option impossible	Too many options set at Dip switch B on control unit A1?
4.6.5.3.	Too many modules in the machine	Are all options set at Dip switch B on control unit A1? Have all codes been correctly set at all electronic modules?

11. Adjustment of the Disk Brake





99-7090-20/40
VARIANTE
 Walzenbürsten

Hinweis:
 Bei VARIANTE Walzenbürsten
 entfällt der Tellerbürstenmotor -H3
 und der Thermokontakt von -H3.

oder

99-7090-10/30
VARIANTE
 Tellerbürste

Hinweis:
 Bei VARIANTE Tellerbürste entfallen
 die Walzenbürstenmotore -H5 und -H6
 und der Thermokontakte von
 -H5 und -H6.

PLOTDATEI-NR.: 31.10.2005 B-51vend-903 / R. / 20UR.05 [005 / Imp. / 20.09.05]

z	1	0459-03	20UR.05	RK	2001	Datum	Name	VES-9h.v	Bemerkung	B 750 R	91-02057-8
+									KLEMMPLAN		

Minuteman E Ride 30 Wiring Diagram

Valid from: March 2006

Ref.	Designation	Path
-A1	Control unit (electronic module only)	/1.29
-A2	Module 1	/2.24
-A3	Standard control panel (electronic module only)	/1.23/1.32
-	Complete control panel for plate brush comprising: control unit (A1 electronic module), and control panel (A3 electronic module, plate and foil) or	/1.32
-	Complete control panel for cylinder brush comprising: control unit (A1 electronic module), and control panel (A3 electronic module, plate and foil)	/1.23
-A4	Drive controller	/2.12
-B1	Piezo buzzer	/1.36
-E1	Working flood light (working floodlight OPTION)	/1.14
-E2	Flashlight (forward ride warning element OPTION)	/1.17
-F1	10A fuse, control voltage	/1.7
-F2	125A main fuse	/1.2
-F3	7.5A horn	/1.11
-F6	10A fuse working floodlight (working floodlight OPTION) or forward ride warning element (forward ride warning element OPTION)	/1.14
-G1	24V battery	/1.2
-G2	On board charger unit (VARIANT with on board charger unit)	/1.5
-H1	Horn	/1.11
-K1	Power contactor (VARIANT with on board charger unit)	/1.8
-K2	Relay (forward ride warning element OPTION)	/1.20
-K3	Flasher relay (forward ride warning element OPTION)	/1.18
-K4	Relay	/2.3
-M1	Drive motor	/2.16
-M2	Suction turbine	/2.32
-M3	Plate brush motor (plate brush VARIANT)	/2.36
-M3.S1	Thermal protector of plate brush motor (plate brush VARIANT)	/2.37
-M5	R-h cylinder brush motor (cylinder brush VARIANT)	/2.36
-M5.S1	Thermal protector of r-h cylinder brush motor (cylinder brush VARIANT)	/2.37
-M6	L-h cylinder brush motor (cylinder brush VARIANT)	/2.36
-M6.S1	Thermal protector of l-h cylinder brush motor (cylinder brush VARIANT)	/2.37
-M7	Squeegee lifting element	/2.34
-M8	Water pump	/2.21
-M9	Plate brush or cylinder brush lifting element	/2.34
-R1	Drive potentiometer	/2.6
-R2	CAN bus terminating resistor 120Ω	/1.25
-R3	CAN bus terminating resistor 120Ω	/2.21
-S1	Key switch	/1.8
-S2	Horn button	/1.11
-S3	Working floodlight switch (working floodlight OPTION) or	/1.14
-S3	Forward ride warning element (forward ride warning element OPTION)	/1.19
-S4	Soiled water sensor	/1.25
-S5	Seat switch	/1.23
-S6	Parking brake switch	/1.26
-S7	Direction switch	/2.6
-S8	Drive potentiometer switch	/2.6
-V1	Recovery diode for horn	/1.13
-V2	Diode (forward ride warning element OPTION)	/1.20
-Y1	Water valve	/2.21

13. Notes

